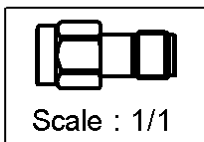
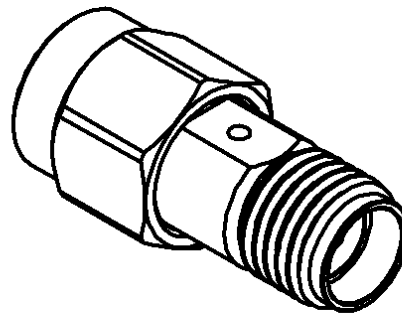
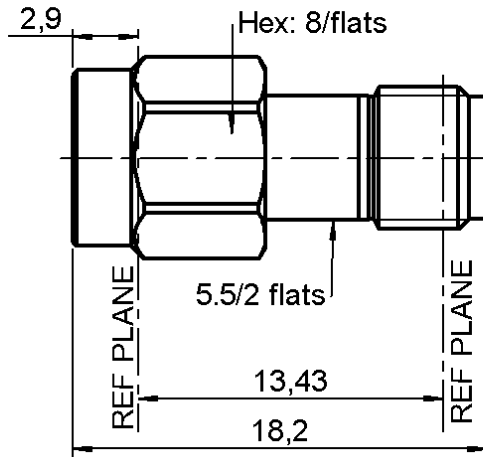


MALE-FEMALE ADAPTOR

R125.704.701

Series : SMA-27



All dimensions are in mm.



| COMPONENTS | MATERIALS | PLATINGS (µm) |
|----------------|------------------|------------------------|
| BODY | STAINLESS STEEL | PASSIVATED . |
| CENTER CONTACT | BERYLLIUM COPPER | GOLD 2.5 OVER NICKEL 2 |
| OUTER CONTACT | - | - |
| INSULATOR | PTFE | - |
| GASKET | SILICONE RUBBER | - |
| OTHERS PARTS | STAINLESS STEEL | PASSIVATED . |
| - | - | - |
| - | - | - |

Issue : 0224 A

In the effort to improve our products, we reserve the right to make changes judged to be necessary.



MALE-FEMALE ADAPTOR

R125.704.701

Series : SMA-27

PACKAGING

SPECIFICATION

| Standard | Unit | Other |
|----------|------|-------------------|
| 1 | - | Contact us |

ELECTRICAL CHARACTERISTICS

ENVIRONMENTAL

| | | |
|---------------------------------|---------------|-----------------------------|
| Impedance | | 50 Ω |
| Frequency | | 0-27 GHz |
| VSWR | 1.05 + | 0.005 x F(GHz) Maxi |
| Insertion loss | | 0.07 √F(GHz) dB Maxi |
| RF leakage | - (| 60 - F(GHz)) dB Maxi |
| Voltage rating | | 500 Veff Maxi |
| Dielectric withstanding voltage | | 1000 Veff mini |
| Insulation resistance | | 5000 MΩ mini |

| | |
|-----------------------|---------------------|
| Operating temperature | -65/+165 ° C |
| Hermetic seal | NA Atm.cm3/s |
| Panel leakage | NA |

OTHERS CHARACTERISTICS

Assembly instruction **NA**

Others :
-

MECHANICAL CHARACTERISTICS

| | |
|----------------------------|------------------------|
| Center contact retention | |
| Axial force – Mating end | 27 N mini |
| Axial force – Opposite end | 27 N mini |
| Torque | 2.8 N.cm mini |
| Recommended torque | |
| Mating | 100 N.cm |
| Panel nut | NA N.cm |
| Mating life | 500 Cycles mini |
| Weight | 3.535 g |

Issue : 0224 A

In the effort to improve our products, we reserve the right to make changes judged to be necessary.

